

PED 300

Fire rated



PED 300

Characteristics

- Panic exit device with central locking point - RIM

EN 1125 certification:



- Modular push bar type
- For Fire and Smoke applications
- High durability 200,000 cycles
- One central locking point
- For one or double leaf door up to 200 kg
- For all types of the door
- For doors up to 1200 mm width in standard
- For doors up to 1400 mm width in option
- Steel pulman latch in standard
- Dead latch in standard
- Steel or zinc alloy swing latch
- Zinc alloy cover 38 mm width
- Aluminium touch bar 1046 mm long
- Bar to be cut
- 73 mm projection
- HO function in option
- Micro switch version in option

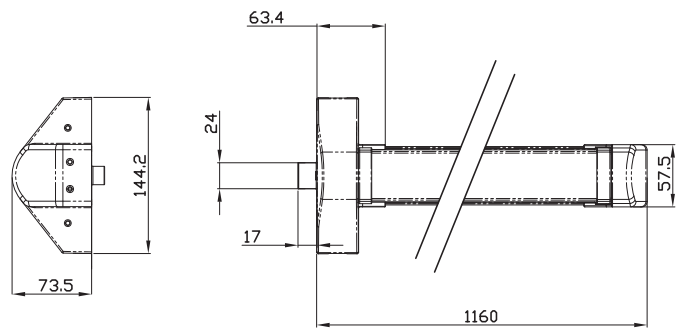


Accessories

- Outside trims Modular series
- Half cylinder (MKS possible)
- Various strikers
- Glass door installation kit

Finishes

- Covers:
- Black RAL 9005
 - Silver RAL 9006
 - S/Steel effect
- Bars:
- Red RAL 3000
 - Silver RAL 9006
 - S/Steel effect



Specification

Outside device	Blind plate	Modular lever handle
No outside opening	•	
Free passing door		•
Cylinder looking - knob / lever handle opening		•
Cylinder looking - key opening		•

Ordering numbers

Ordering number	Accessories	Material	Description
PED 300/--/GG	MNBT101M02SGGAA	push bar	central locking point PED with steel latch and dead latch, 1200 mm wide door, grey support and bar
PED 300/--/NR	MNBT101M02SNRAA	push bar	central locking point PED with steel latch and dead latch, 1200 mm wide door, black support and red bar
PED 300/--/SA	MNBT101M02SSAAA	push bar	central locking point PED with steel latch and dead latch, 1200 mm wide door, s/steel effect support and s/steel effect bar
PED 300/HO/GG	MNBT111M02SGGAA	push bar	central locking point PED with steel latch and dead latch, 1200 mm wide door, grey support and bar - HO function
PED 300/HO/NR	MNBT111M02SNRAA	push bar	central locking point PED with steel latch and dead latch, 1200 mm wide door, black support and red bar - HO function
PED 300/HO/SA	MNBT111M02SSAAA	push bar	central locking point PED with steel latch and dead latch, 1200 mm wide door, s/steel effect support and s/steel bar - HO function

PED 300 + PED/GV

Fire rated



PED 300 + PED/GV

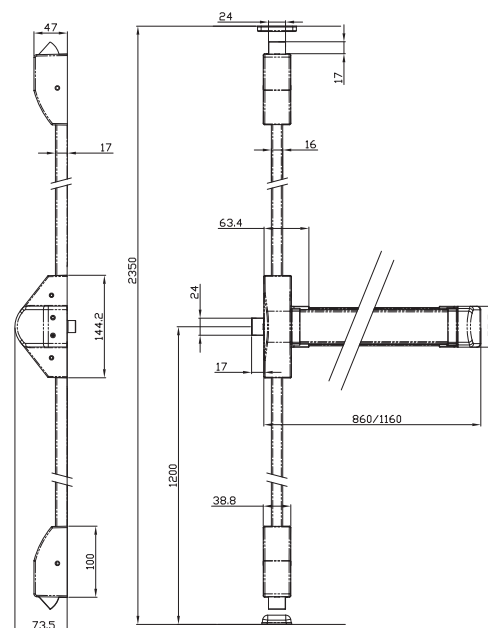
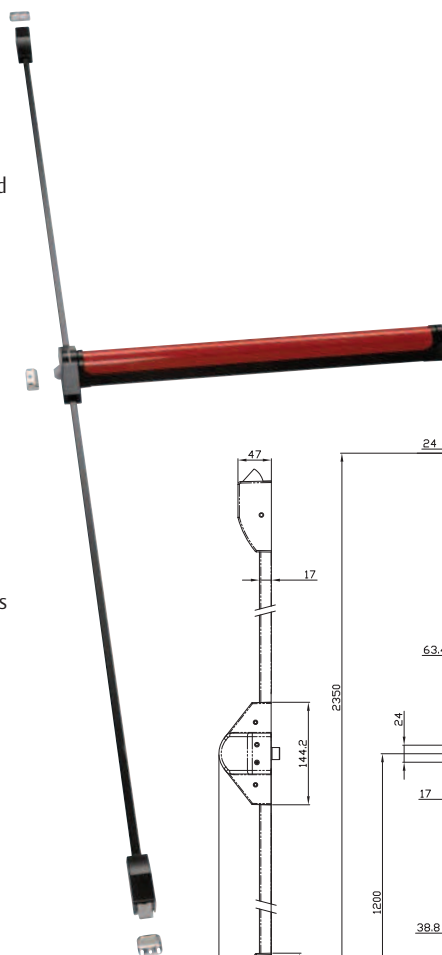
- Set of 2/3 locking points PED composed of Modular Push Bar and kit for 2 vertical locking points

EN 1125 certification:



Characteristics of PED 300

- Modular push bar type
- For Fire and Smoke applications
- High durability 200,000 cycles
- One central locking point
- For one or double leaf door up to 200 kg
- For all types of the door
- For doors up to 1200 mm width in standard
- For doors up to 1500 mm width in option
- Steel pulman latch in standard
- Dead latch in standard
- Zinc alloy cover 38 mm width
- Aluminium touch bar 1046 mm long
- Bar to be cut
- 73 mm projection
- HO function in option
- Micro switch version in option



Characteristics of PED/GV

- Set of rods, rod covers and vertical latches
- To fit modular cross bar
- For 2 (top & bottom) vertical locking points installation
- For one or double leaf door
- For doors up to 2350 mm high in standard
- For doors up to 3200 mm high in option
- Steel pulman latches

Accessories

- Outside trims Modular series
- Half cylinder (MKS possible)
- Various strikers
- Glass door installation kit
- Rod extension for doors up to 3200 mm

Finishes

- | | | |
|-------------------|-------------------|-------------------|
| Latches covers: | Bars: | Rod covers |
| • Black RAL 9005 | • Red RAL 3000 | • Black RAL 9005 |
| • Silver RAL 9006 | • Silver RAL 9006 | • Silver RAL 9006 |
| • S/Steel effect | • S/Steel effect | • S/Steel effect |

Specification

Outside device	Blind plate	Modular lever handle
No outside opening	•	
Free passing door		•
Cylinder locking - knob / lever handle opening		•

Ordering numbers

Ordering number	Accessories	Material	Description
PED 300/-/GG	MNBT101M02SGGAA	push bar	central locking point PED with steel latch and dead latch, 1200 mm wide door, grey support and bar
PED 300/-/NR	MNBT101M02SNRAA	push bar	central locking point PED with steel latch and dead latch, 1200 mm wide door, black support and red bar
PED 300/-/SA	MNBT101M02SSAAA	push bar	central locking point PED with steel latch and dead latch, 1200 mm wide door, s/steel effect support and s/steel bar
PED 300/HO/GG	MNBT111M02SGGAA	push bar	central locking point PED with steel latch and dead latch, 1200 mm wide door, grey support and bar - HO function
PED 300/HO/NR	MNBT111M02SNRAA	push bar	central locking point PED with steel latch and dead latch, 1200 mm wide door, black support and red bar - HO function
PED 300/HO/SA	MNBT111M02SSAAA	push bar	central locking point PED with steel latch and dead latch, 1200 mm wide door, s/steel effect support and s/steel bar - HO function
PED/GV/G	KITMNC1S3SVFG	vertical KIT	Modular KIT for two vertical locking points and rod cover PED with steel latch grey support and vertical rod cover
PED/GV/N	KITMNC1S3SVFN	vertical KIT	Modular KIT for two vertical locking points and rod cover PED with steel latch black support and vertical rod cover
PED/GV/S	KITMNC1S3SVFS	vertical KIT	Modular KIT for two vertical locking points and rod cover PED with steel latch satin support and vertical rod cover